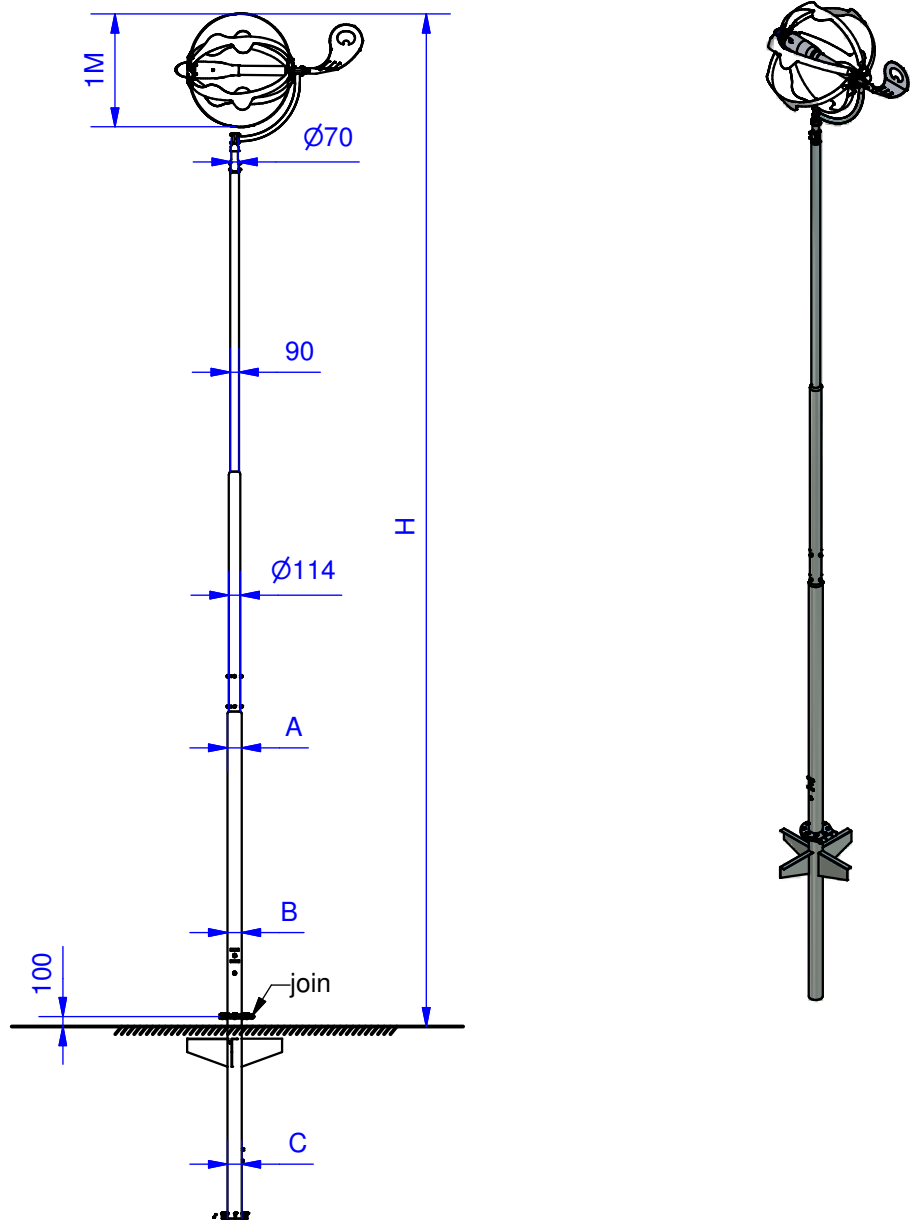




	H	A	B	C	WEIGHT POLE
PA	10M	140	140	140	160 kg
PB	12M	140	168	168	210 kg



To be installed with special tool

Home Energy B.V.		Surface treatment: Hot Dip Galvanizing	
Property of Home Energy B.V. Reproduction or distribution of information in any form, without written consent of the owner is prohibited!		Drawing: HE 10 00 001 Rev: 2	
		POLE ENERGY BALL V100	
Tolerances (If not specified):		Product: ENERGY BALL V100	
- BREAK SHARP EDGES : 0,2 x 0,2		Drawn: PD	Date: 1-3-2007
- Angles: ± 0,5		Checked: DvW	Rev. date: 3-5-2007
- General tol: NEN-ISO 2768c		Weight: -	Mat: -
- Surface finish to: ISO 1302 / ISO 468		Unit: mm	Scale: 1:75
		Size: A4	